



## Donatello Red Owner's Manual

---

# GOLD NOTE

## The Renaissance of Technology.

---

Thank you for your purchase of the **Donatello Red** stereo cartridge.

Read these Operating Instructions carefully before using your **Donatello Red** and keep it for future reference.

### Before Using

1. The Stylus is very delicate. Applying excessive force to the stylus, such as pressing with a finger can break it. Handle the cartridge with the utmost care.
2. A powerful magnet is used in the cartridge. Note that carelessly bringing a steel screwdriver or other such item near the cartridge will result in it being attracted by the magnet and may result in damage to the stylus, so care must be taken.

### Package Content

- Cartridge body
- Stainless Steel no-magnetic two sets of head-shell fixing 2,5mm screws
- 2mm Allen Wrench
- Owner's Manual

### Method of Use

1. Mounting the cartridge on the tone arm Head-Shell using the supplied Allen Wrench and one set of the 2,5mm screws. Adjust it to the stylus position specified for the turntable system you are using mounting it properly without tilting or turning it. (See Figure 1.)

- The output terminals are colours coded for identification

as illustrated in Figure 2. Match the colors of the tone arm head-shell leads to the terminals and connect each other properly.

### NOTE:

When connecting the cartridge, be sure to use the tipped leads and press them onto the terminals. Applying heat to the output terminals of the cartridge, such as in direct soldering, will cause internal damage to the cartridge, such as wire breakage.

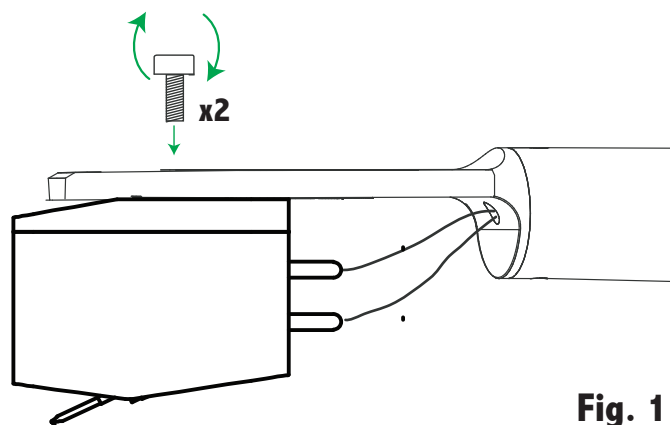


Fig. 1

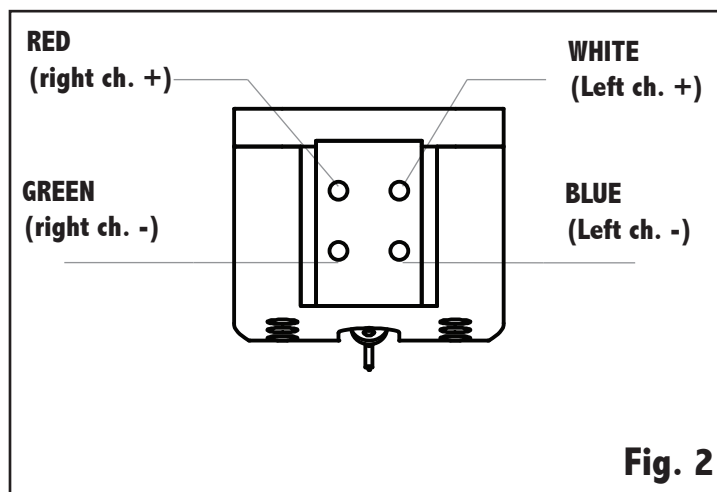


Fig. 2

The idea behind the new **Donatello MC** cartridge was to engineer the best sounding cartridge with solid machined aluminium body, light enough to be handled by every tone-arms. The results exceeded expectations

After two years of continuous research, here is Donatello: a sophisticated, computer designed body made of machined aluminium. Weighing only 7gram, it's perfectly damped and firmly blocked to help the cantilever achieve the best tracking

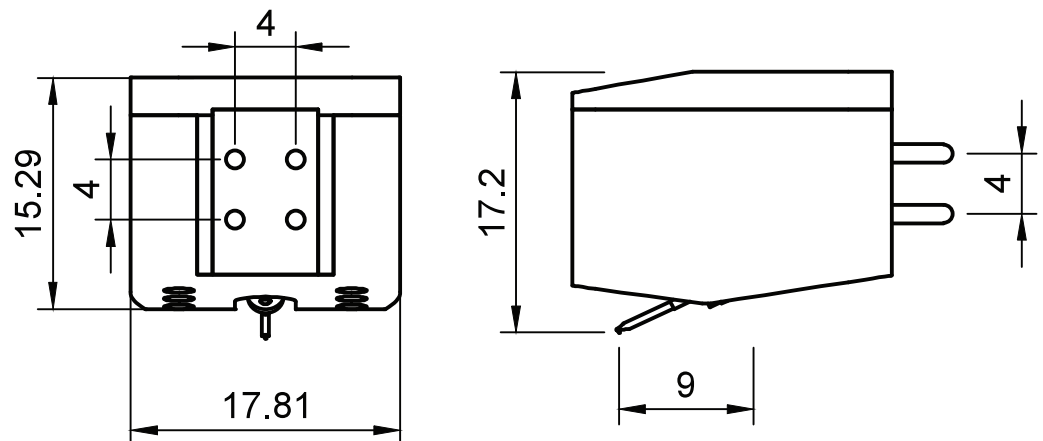
Donatello's ultra rigid cantilever handles a high precision Micro Elliptical diamond exclusively developed in collaboration with Adamant-Namiki and designed for top audio performance

As our flagship cartridges, Donatello's diamond tip is mechanically inserted and blocked into a long, stiffened aluminium cantilever, handled in a special titanium telescopic pipe to increase structural rigidity

There's more: like our top models, Donatello features long gold-plated pin connectors designed to connect perfectly with arm cinches, reducing energy dispersion and improving grounding for an ideal music background that will let you enjoy even the smaller details in your music

Donatello Series feature high internal impedance levels, so that they can be easily matched with any active phono preamp MM and even correctly set-up MC ones, without the need of any Step-Up transformer

**Please Note:** to preserve the uniqueness all **Donatello Red** cartridges have the serial number indelibly printed in the engraved area of the top of the cartridge body.



### SPECIFICATIONS

Typology: MC High Output Phono Cartridge

Output level: 1.8mV

Frequency response: 10-35000Hz

Impedance: 140Ω

Suggested load: 47KΩ

Compliance: 12×10<sup>-6</sup>cm/dyne

Channel separation: > 24dB

Channel balance: < 1dB

Suggested tracking weight: 1.8 to 2.1g

Cantilever: Aluminum

Diamond: Micro Elliptical

Coil Wire: Copper

Magnet: Samarium-Cobalt

Mounting hole diamond distance: 9mm

### Body

solid block machined Duraluminium alloy

### Color

red body - white logo - white name

### Physical

Total weight: 7g

**GOLD NOTE**  
The Renaissance of Technology.



Via della Gora, 6  
Montespertoli (Florence) Italy 50025  
Tel. + 39 0571 675005  
Fax. + 39 0571 675013  
[www.goldnote.it](http://www.goldnote.it)