



## Machiavelli Gold Owner's Manual

---

# GOLD NOTE

The Renaissance of Technology.

---

Thank you for your purchase of the MACHIAVELLI GOLD stereo cartridge.  
Read these Operating Instructions carefully before using your MACHIAVELLI GOLD and keep it for future reference.

### Before Using

1. The Stylus is very delicate. Applying excessive force to the stylus, such as pressing with a finger can break it. Handle the cartridge with the utmost care.
2. A powerful magnet is used in the cartridge. Note that carelessly bringing a steel screwdriver or other such item near the cartridge will result in it being attracted by the magnet and may result in damage to the stylus, so care must be taken.

### Package Content

- Cartridge body
- Stainless Steel no-magnetic two sets of head-shell fixing 2,5mm screws
- 2mm Allen Wrench
- Owner's Manual

### Method of Use

1. Mounting the cartridge on the tone arm Head-Shell using the supplied Allen Wrench and one set of the 2,5mm screws. Adjust it to the stylus position specified for the turntable system you are using mounting it properly without tilting or turning it. (See Figure 1.)

- The output terminals are colours coded for identification as illustrated in Figure 2. Match the colors of the tone arm head-shell leads to the terminals and connect each other properly.

### NOTE:

When connecting the cartridge, be sure to use the tipped leads and press them onto the terminals. Applying heat to the output terminals of the cartridge, such as in direct soldering, will cause internal damage to the cartridge, such as wire breakage.

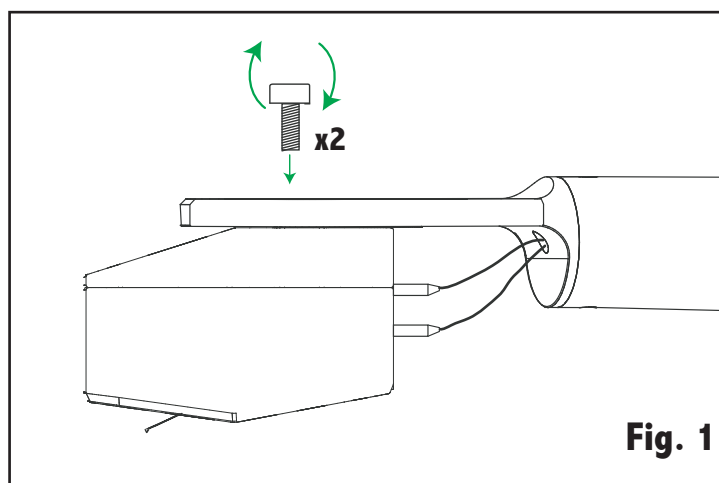


Fig. 1

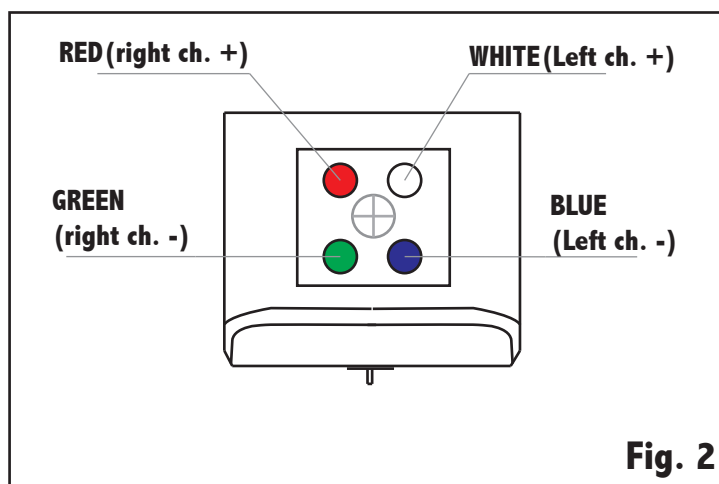


Fig. 2

The **Machiavelli Gold** is the best ever made **Gold Note high-output MC** phono cartridge features easy internal impedance and high gain to enables great sound performance even with MM or MC phono properly set-up phono preamplifier.

The Machiavelli Gold Born extra rigid cantilever handles a high precision Line Contact diamond developed with Adamant-Namiki, the world most famous professional Diamond manufacturer.

The diamond tip is inserted and blocked into the Boron cantilever handled by a telescopic pipe increases the coupling rigidity.

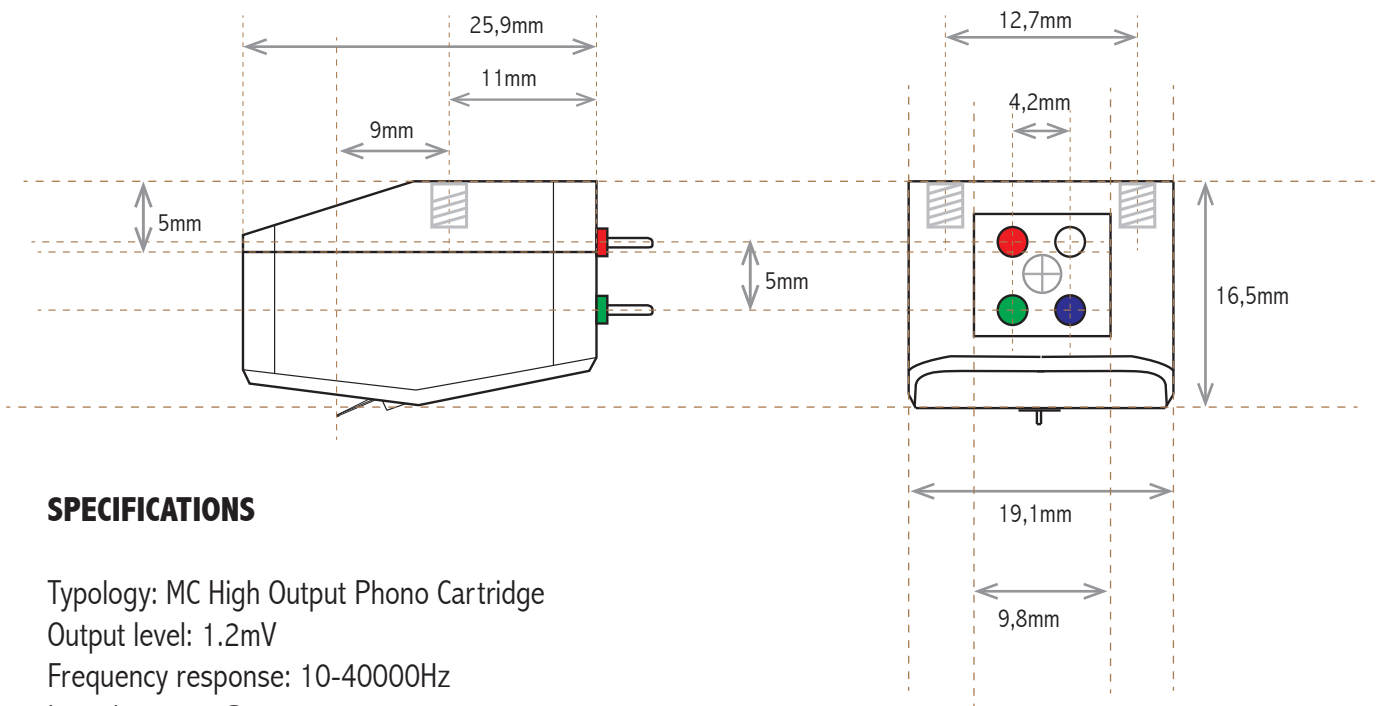
The cantilever suspension is made by elastic no deformable harmonic steel spring rigidly blocked to eliminate vibrations enhancing the tracking ability of the cartridge the best.

Besides, the increased lighted body of the cartridge, featuring only 10gram mass enables superb vibration control.

The thin and long gold plated pin connectors enable the ideal contact with arm cinches; the good contact unable energy dispersion and better grounding for a more silent music background to reach all minor details listening to the music.

The Machiavelli Gold because the 80ohm high internal impedance and 1.2mV output level it can be easily matched with MC and MM phono preamp correctly set-up without Step-Up transformers.

**Please Note:** to preserve the uniqueness all Machiavelli Gold cartridges have the serial number indelibly engraved in



## SPECIFICATIONS

Typology: MC High Output Phono Cartridge

Output level: 1.2mV

Frequency response: 10-40000Hz

Impedance: 80Ω

Suggested load: 47KΩ

Compliance: 10×10-6cm/dyne

Channel separation: >28dB

Suggested tracking weight: 1.8 to 2.1g

Cantilever: Boron

Diamond: Line Contact

Diamond Size: 5×20μm

Coil Wire: Copper

Magnet: Samarium-Cobalt

Mounting hole diamond distance: 9mm

## Physical

Total weight: 10g

**GOLD NOTE**  
The Renaissance of Technology.

Via della Gora, 6  
Montespertoli (Florence) Italy 50025  
Tel. + 39 0571 675005  
Fax. + 39 0571 675013  
www.goldnote.it